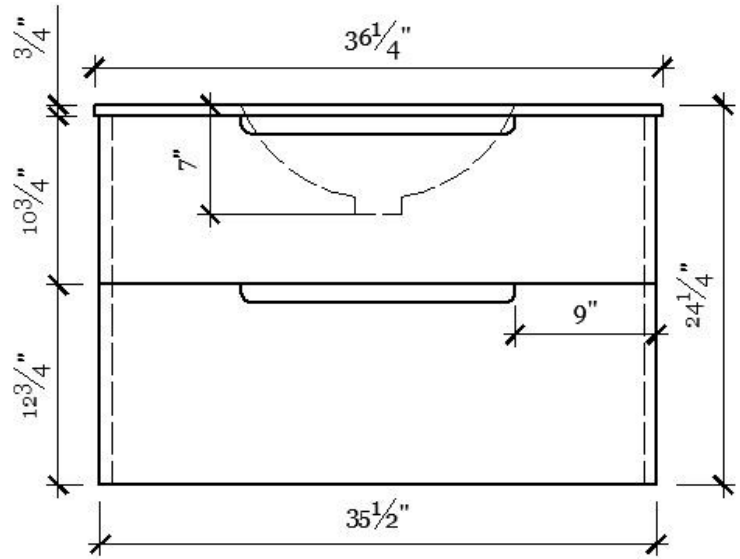




Astika 900



Cabinet Dimensions

35" x 15" x 23-2/8"

MATERIAL:	MDF
GLOSSY LACQUER FINISH:	WHITE CHARCOAL GREY DOVE GREY
MOUNT:	Wall

PACKAGE COMBO:

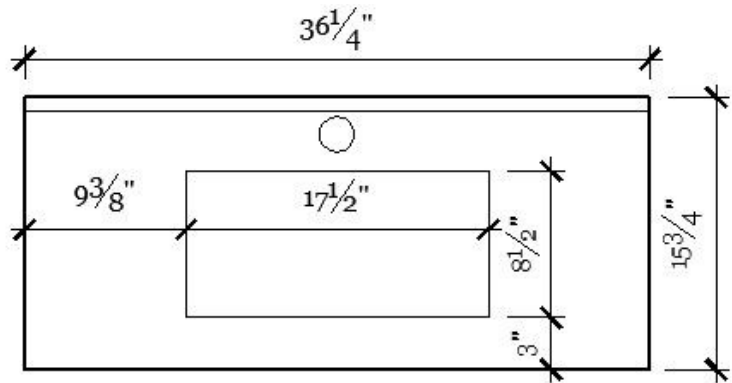
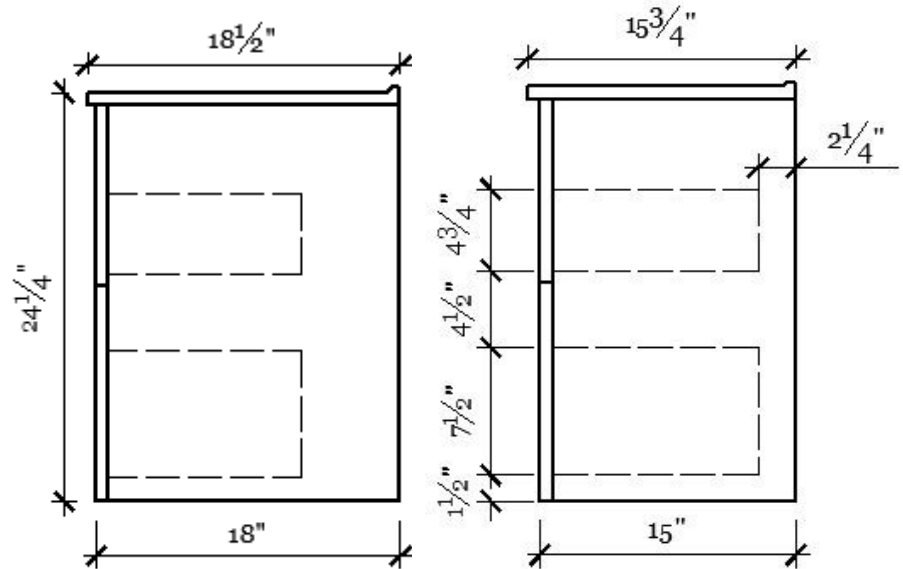
1. Pre assembled glossy lacquered cabinet
2. One piece ceramic top
3. Assembling Hardware

HIGHLIGHTS:

Compact and practical unit all round for the size. Cabinet space, counter space, and soft closing doors and drawers.

INSTALLATION:

Cabinet comes assembled. Place top on cabinet, then install plumbing.



- One Piece ceramic top sink
- White gloss